

STACKING

EN

Designed by Rockwell Group, the Stacking Collection merge cutting-edge technology and traditional glassmaking techniques. It includes three sets of floor lamps and a series of horizontal and vertical pendant lights.

The floor version was conceived in 2007 and pays homage to the rich Venetian glassmaking tradition employing the "incamiciato" technique (Italian for "jacketed" or "layered"), which requires skilled glassblowers layer multiple glasses during the blowing process. This labor-intensive technique builds up different colors and opacities in each module. When these cylinder modules are combined and overlaps, a captivating mixture of colors cast a sophisticated ambient light.

Sixteen years later, the suspended lamps are added to the collection.

Stacking S is composed of a cylindrical diffuser powered by 5 high-quality LED strips. The decorative elements are made out of blown borosilicate glass. Machined aluminum end-caps keep everything together and act as suspension anchoring points. The "Naked" version without decorative glass is also available.

With three different sizes for vertical versions and two for horizontal version, the suspended range can work in clusters and create beautiful and fascinating shapes of lights.



IT

Progettata da Rockwell Group, la Collezione Stacking unisce tecnologia all'avanguardia e tecniche tradizionali di lavorazione del vetro. Comprende tre serie di lampade da terra e una serie di lampade a sospensione orizzontali e verticali.

La versione da terra è stata disegnata nel 2007 e rende omaggio alla ricca tradizione vetraria veneziana che utilizza la tecnica chiamata "incamiciato": abili maestri vetrai sovrappongono vetri con proprietà distinte, creando un affascinante mosaico di colori e opacità dando vita a inaspettate sinergie di luce. Questa tecnica ad alta intensità di lavoro crea diversi colori e opacità in ciascun modulo di vetro. Quando questi moduli cilindrici si accostano e si sovrappongono, un accattivante mix di colori proietta una sofisticata luce su tutto l'ambiente circostante.

Nel 2023, alla collezione "terra" si aggiungono le lampade a sospensione. Stacking S è composta da un corpo cilindrico con diffusore centrale alimentato da 5 strip LED di alta qualità. Gli elementi decorativi sono una composizione di vetri dalle diverse lunghezze in borosilicato soffiato. Elementi in alluminio tornito dal pieno posti alle due estremità della lampada servono come chiusura e punti di fissaggio per la sospensione. È disponibile anche la versione "Naked" (senza vetro decorativo).

Con tre diverse misure per la versione verticale e due per l'orizzontale, la gamma a sospensione può funzionare in composizioni multiple e creare forme di luce belle e affascinanti.



PENDANT HORIZONTAL

STACKING



STACKING S 180 H
Diffuser: Transparent
Structure: Anodized Aluminum



STACKING S 120 H
Diffuser: Transparent
Structure: Anodized Aluminum

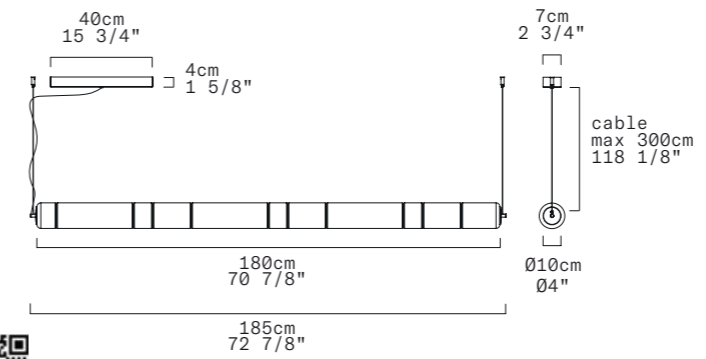
PENDANT HORIZONTAL

STACKING

STACKING S 180 H - INDOOR

David Rockwell, 2023

PENDANT - SOSPENSIONE

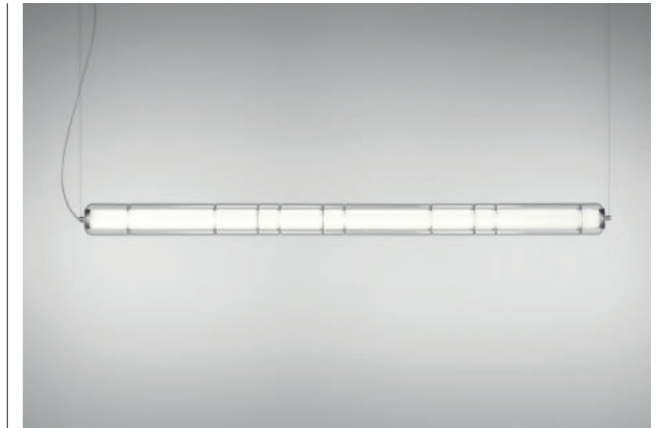


Discover more

REPLACEABLE LED

TECHNICAL SHEET

MATERIALS	Difuser: Blown Borosilicate Glass Structure: Aluminum	
DIMENSIONS	Difuser: Ø10cm L180cm [Ø4" 70 7/8"] Canopy: 40cm x 7cm x H4cm [15 3/4" x 2 3/4" x H1 5/8"] Cable lenght: 300cm [118 1/8"]	
CANOPY	Matte white	
LIGHT SOURCE	5 X LED STRIP 24V 43,75W (total) 5031 lm (nominal) 3000K CRI≥90 5 X LED STRIP 24V 43,75W (total) 4812 lm (nominal) 2700K CRI≥90	
DIMMING PROTOCOL	Push-dim; 0/1-10V, DALI	
MARKING	DRY LOCATION  IP20	
WEIGHT	Net weight: 10kg	



Standard version (supplied with canopy & driver)

DIMMING PROTOCOL	Push-dim; 0/1-10V, DALI	
FINISH (DIFFUSER + STRUCTURE)	SOURCE	CODE
Transparent + Anodized Aluminium	LED 3000K	0012296
	LED 2700K	0012380

Class 3 version installation with remote driver (supplied without canopy & driver)

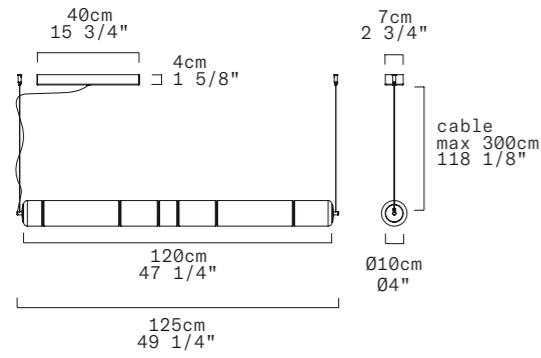
DIMMING PROTOCOL	Driver and canopy not included	
FINISH (DIFFUSER + STRUCTURE)	SOURCE	CODE
Transparent + Anodized Aluminium	LED 3000K	0013255
	LED 2700K	0013256

STACKING S 180 H
Difuser: Transparent
Structure: Anodized Aluminum

STACKING S 120 H - INDOOR

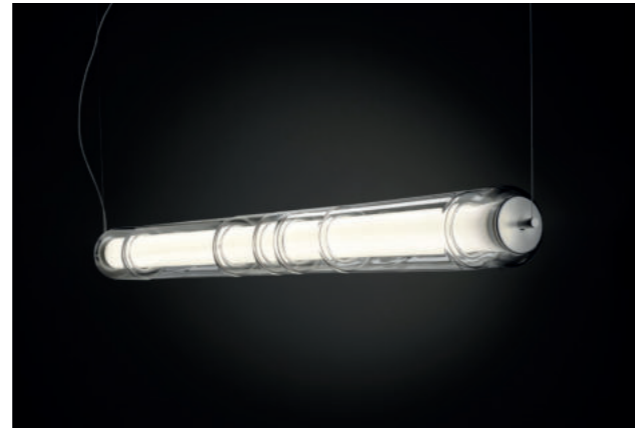
David Rockwell, 2023

PENDANT - SOSPENSIONE



Discover more

REPLACEABLE LED



TECHNICAL SHEET

MATERIALS	Diffuser: Blown Borosilicate Glass Structure: Aluminum
DIMENSIONS	Diffuser: Ø10cm L120cm [Ø4" 47 1/4"] Canopy: 40cm x 7cm x H4cm [15 3/4" x 2 3/4" x H1 5/8"] Cable lenght: 300cm [118 1/8"]
CANOPIE	Matte white
LIGHT SOURCE	5 X LED STRIP 24V 28,75W (total) 3306 lm (nominal) 3000K CRI≥90 5 X LED STRIP 24V 28,75W (total) 3162 lm (nominal) 2700K CRI≥90
DIMMING PROTOCOL	Push-dim; 0/1-10V, DALI
MARKING	DRY LOCATION
WEIGHT	Net weight: 5,6 kg

Standard version (supplied with canopy & driver)

DIMMING PROTOCOL	Push-dim; 0/1-10V, DALI	
FINISH (DIFFUSER + STRUCTURE)	SOURCE	CODE
Transparent + Anodized Aluminum	LED 3000K	0012360
	LED 2700K	0012383

Class 3 version installation with remote driver (supplied without canopy & driver)

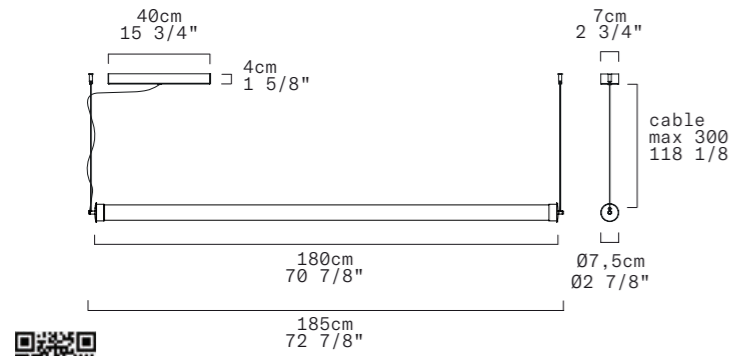
DIMMING PROTOCOL	Driver and canopy not included	
FINISH (DIFFUSER + STRUCTURE)	SOURCE	CODE
Transparent + Anodized Aluminum	LED 3000K	0013253
	LED 2700K	0013254



STACKING S 180 H
Diffuser: Transparent
Structure: Anodized Aluminum

STACKING S 180 H NAKED - INDOOR

David Rockwell, 2023



Discover more

REPLACEABLE LED



Standard version (supplied with canopy & driver)

DIMMING PROTOCOL	Push-dim; 0/1-10V, DALI	
FINISH (DIFFUSER + STRUCTURE)	SOURCE	CODE
White + Anodized Aluminum	LED 3000K	0012431
	LED 2700K	0012432

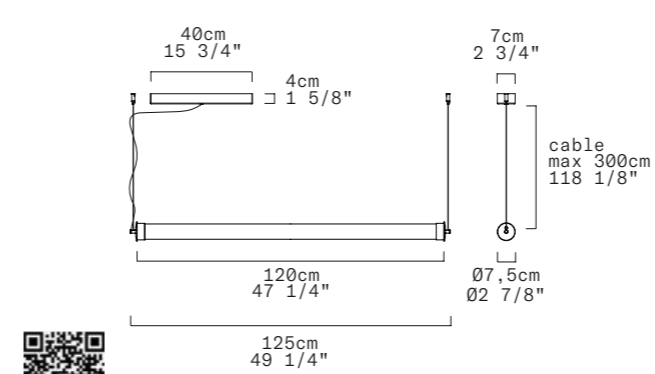
Class 3 version installation with remote driver (supplied without canopy & driver)

DIMMING PROTOCOL	Driver and canopy not included	
FINISH (DIFFUSER + STRUCTURE)	SOURCE	CODE
White + Anodized Aluminum	LED 3000K	0013265
	LED 2700K	0013266

PENDANT - SOSPENSIONE

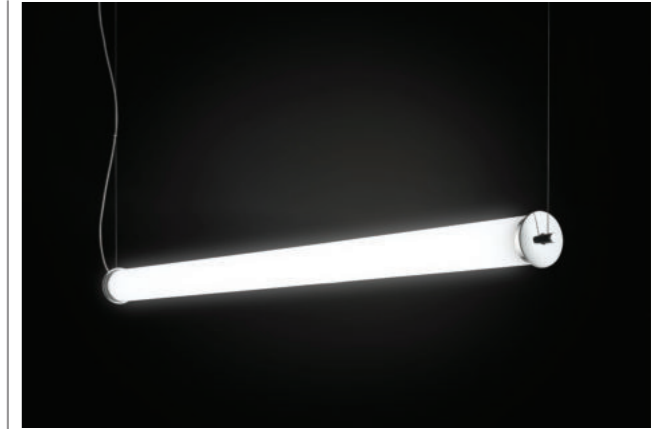
STACKING S 120 H NAKED - INDOOR

David Rockwell, 2023



Discover more

REPLACEABLE LED



TECHNICAL SHEET

MATERIALS	Difuser: Polymethacrylate Structure: Aluminum
DIMENSIONS	Difuser: Ø7,5cm L120cm [Ø2 7/8" L47 1/4"] Canopy: 40cm x 7cm x H4cm [15 3/4" x 2 3/4" x 1 5/8"] Cable lenght: 300cm [118 1/8"]
CANOPY	Matte white
LIGHT SOURCE	5 X LED STRIP 24V 28,75W (total) 3306 lm (nominal) 3000K CRI≥90 5 X LED STRIP 24V 28,75W (total) 3162 lm (nominal) 2700K CRI≥90

CANOPY Matte white

LIGHT SOURCE 5 X LED STRIP 24V 28,75W (total) 3306 lm (nominal) 3000K CRI≥90
5 X LED STRIP 24V 28,75W (total) 3162 lm (nominal) 2700K CRI≥90

DIMMING PROTOCOL Push-dim; 0/1-10V, DALI

MARKING DRY LOCATION  

WEIGHT Net weight: 3,4kg

Standard version (supplied with canopy & driver)

DIMMING PROTOCOL	Push-dim; 0/1-10V, DALI	
FINISH (DIFFUSER + STRUCTURE)	SOURCE	CODE
White + Anodized Aluminum	LED 3000K	0012433
	LED 2700K	0012434

Class 3 version installation with remote driver (supplied without canopy & driver)

DIMMING PROTOCOL	Driver and canopy not included	
FINISH (DIFFUSER + STRUCTURE)	SOURCE	CODE
White + Anodized Aluminum	LED 3000K	0013263
	LED 2700K	0013264

PENDANT - SOSPENSIONE

PENDANT VERTICAL

STACKING



STACKING S 90 V
Diffuser: Transparent
Structure: Anodized Aluminum



STACKING S 60 V
Diffuser: Transparent
Structure: Anodized Aluminum



STACKING S 30 V
Diffuser: Transparent
Structure: Anodized Aluminum



PENDANT VERTICAL STACKING

STACKING S 60 V
Diffuser: Transparent
Structure: Anodized Aluminum



STACKING S 30 V
Diffuser: Transparent
Structure: Anodized Aluminum

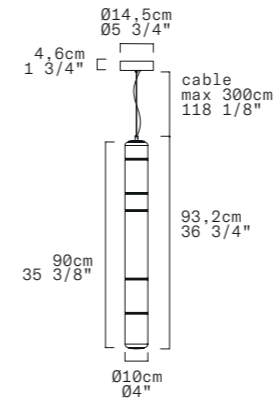


STACKING S 90 V
Diffuser: Transparent
Structure: Anodized Aluminum



STACKING S 90 V - INDOOR



David Rockwell, 2023



Discover more

REPLACEABLE LED

TECHNICAL SHEET

MATERIALS	Diffuser: Blown Borosilicate Glass Structure: Aluminum	
DIMENSIONS	Diffuser: Ø10cm H90cm [Ø4" 35 3/8"] Canopy: Ø14,5cm H4,6cm [Ø5 3/4" H1 3/4"] Cable length: 300cm [118 1/8"]	
CANOPY	Matte white	
LIGHT SOURCE	5 X LED STRIP 24V 21,25W (total) 2443 lm (nominal) 3000K CRI≥90 5 X LED STRIP 24V 21,25W (total) 2337 lm (nominal) 2700K CRI≥90	
DIMMING PROTOCOL	Push-dim; 0/1-10V, DALI	
MARKING	DRY LOCATION  	
WEIGHT	Net weight: 4,3kg	

PENDANT - SOSPENSIONE



Standard version (supplied with canopy & driver)

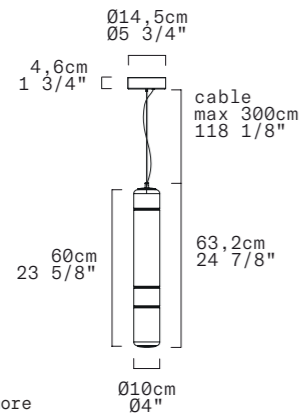
DIMMING PROTOCOL	Push-dim; 0/1-10V, DALI	
FINISH (DIFFUSER + STRUCTURE)	SOURCE	CODE
Transparent + Anodized Aluminum	LED 3000K	0012363
	LED 2700K	0012386

Class 3 version installation with remote driver (supplied without canopy & driver)

DIMMING PROTOCOL	Driver and canopy not included	
FINISH (DIFFUSER + STRUCTURE)	SOURCE	CODE
Transparent + Anodized Aluminum	LED 3000K	0013261
	LED 2700K	0013262

STACKING S 60 V - INDOOR

David Rockwell, 2023



Discover more

REPLACEABLE LED



PENDANT - SOSPENSIONE

TECHNICAL SHEET

MATERIALS	Difuser: Blown Borosilicate Glass Structure: Aluminum
DIMENSIONS	Difuser: Ø10cm H60cm [Ø4" 23 5/8"] Canopy: Ø14,5cm H4,6cm [Ø5 3/4" 1 3/4"] Cable lenght: 300cm [118 1/8"]
CANOPY	Matte white
LIGHT SOURCE	5 X LED STRIP 24V 13,75W (total) 1581 lm (nominal) 3000K CRI≥90 5 X LED STRIP 24V 13,75W (total) 1512 lm (nominal) 2700K CRI≥90
DIMMING PROTOCOL	Push-dim; 0/1-10V, DALI
MARKING	DRY LOCATION  
WEIGHT	Net weight: 3,2kg

Standard version (supplied with canopy & driver)

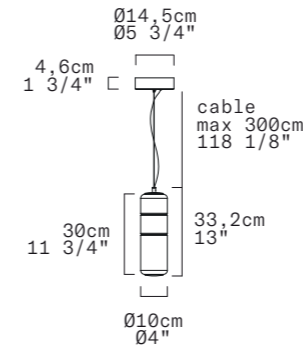
DIMMING PROTOCOL	Push-dim; 0/1-10V, DALI	
FINISH (DIFFUSER + STRUCTURE)	SOURCE	CODE
Transparent + Anodized Aluminum	LED 3000K	0012362
	LED 2700K	0012389

Class 3 version installation with remote driver (supplied without canopy & driver)

DIMMING PROTOCOL	Driver and canopy not included	
FINISH (DIFFUSER + STRUCTURE)	SOURCE	CODE
Transparent + Anodized Aluminum	LED 3000K	0013259
	LED 2700K	0013260

STACKING S 30 V - INDOOR

David Rockwell, 2023



Discover more

REPLACEABLE LED



PENDANT - SOSPENSIONE

TECHNICAL SHEET

MATERIALS	Difuser: Blown Borosilicate Glass Structure: Aluminum
DIMENSIONS	Difuser: Ø10cm H30cm [Ø4" H11 3/4"] Canopy: Ø14,5cm H4,6cm [Ø5 3/4" H1 3/4"] Cable lenght: 300cm [118 1/8"]
CANOPY	Matte white
LIGHT SOURCE	5 X LED STRIP 24V 6,25W (total) 718 lm (nominal) 3000K CRI≥90 5 X LED STRIP 24V 6,25W (total) 687 lm (nominal) 2700K CRI≥90
DIMMING PROTOCOL	Push-dim; 0/1-10V, DALI
MARKING	DRY LOCATION  
WEIGHT	Net weight: 2,3kg

Standard version (supplied with canopy & driver)

DIMMING PROTOCOL	Push-dim; 0/1-10V, DALI	
FINISH (DIFFUSER + STRUCTURE)	SOURCE	CODE
Transparent + Anodized Aluminum	LED 3000K	0012361
	LED 2700K	0012392

Class 3 version installation with remote driver (supplied without canopy & driver)

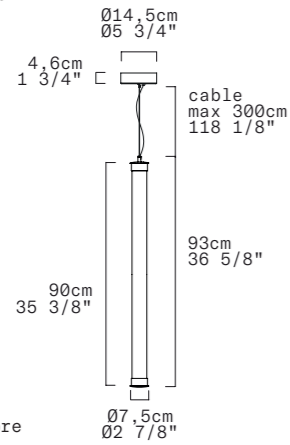
DIMMING PROTOCOL	Driver and canopy not included	
FINISH (DIFFUSER + STRUCTURE)	SOURCE	CODE
Transparent + Anodized Aluminum	LED 3000K	0013257
	LED 2700K	0013258

STACKING S 90 V NAKED - INDOOR

David Rockwell, 2023





Discover more



REPLACEABLE LED

TECHNICAL SHEET

MATERIALS	Diffuser: Polymethacrylate Structure: Aluminum
DIMENSIONS	Diffuser: Ø7,5cm H90cm [Ø2 7/8" H35 3/8"] Canopy: Ø14,5cm H4,6cm [Ø5 3/4" H1 3/4"] Cable length: 300cm [118 1/8"]
CANOPY	Matte white
LIGHT SOURCE	5 X LED STRIP 24V 21,25W (total) 2443 lm (nominal) 3000K CRI≥90 5 X LED STRIP 24V 21,25W (total) 2337 lm (nominal) 2700K CRI≥90
DIMMING PROTOCOL	Push-dim; 0/1-10V, DALI
MARKING	DRY LOCATION  
WEIGHT	Net weight: 2,6kg

PENDANT - SOSPENSIONE



Standard version (supplied with canopy & driver)

DIMMING PROTOCOL	Push-dim; 0/1-10V, DALI	
FINISH (DIFFUSER + STRUCTURE)	SOURCE	CODE
White + Anodized Aluminum	LED 3000K	0012435
	LED 2700K	0012436

Class 3 version installation with remote driver (supplied without canopy & driver)

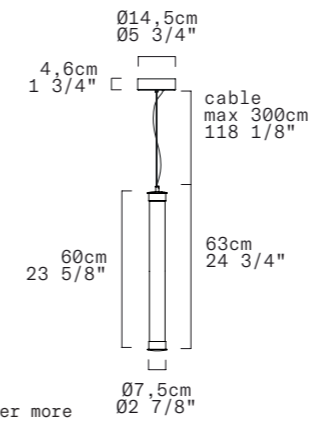
DIMMING PROTOCOL	Driver and canopy not included	
FINISH (DIFFUSER + STRUCTURE)	SOURCE	CODE
White + Anodized Aluminum	LED 3000K	0013271
	LED 2700K	0013272

STACKING S 60 V NAKED - INDOOR

David Rockwell, 2023





Discover more



REPLACEABLE LED

TECHNICAL SHEET

MATERIALS	Diffuser: Polymethacrylate Structure: Aluminum
DIMENSIONS	Diffuser: Ø7,5cm H60cm [Ø2 7/8" H23 5/8"] Canopy: Ø14,5cm H4,6cm [Ø5 3/4" H1 3/4"] Cable length: 300cm [118 1/8"]
CANOPY	Matte white
LIGHT SOURCE	5 X LED STRIP 24V 13,75W (total) 1581 lm (nominal) 3000K CRI≥90 5 X LED STRIP 24V 13,75W (total) 1512 lm (nominal) 2700K CRI≥90
DIMMING PROTOCOL	Push-dim; 0/1-10V, DALI
MARKING	DRY LOCATION  
WEIGHT	Net weight: 2kg

PENDANT - SOSPENSIONE



Standard version (supplied with canopy & driver)

DIMMING PROTOCOL	Push-dim; 0/1-10V, DALI	
FINISH (DIFFUSER + STRUCTURE)	SOURCE	CODE
White + Anodized Aluminum	LED 3000K	0012437
	LED 2700K	0012438

Class 3 version installation with remote driver (supplied without canopy & driver)

DIMMING PROTOCOL	Driver and canopy not included	
FINISH (DIFFUSER + STRUCTURE)	SOURCE	CODE
White + Anodized Aluminum	LED 3000K	0013269
	LED 2700K	0013270

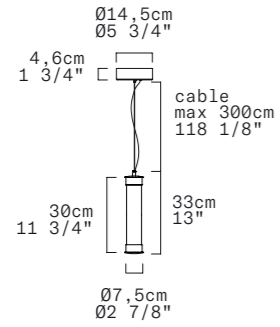
STACKING S 30 V NAKED - INDOOR

David Rockwell, 2023

PENDANT - SOSPENSIONE





Discover more




REPLACEABLE LED




TECHNICAL SHEET

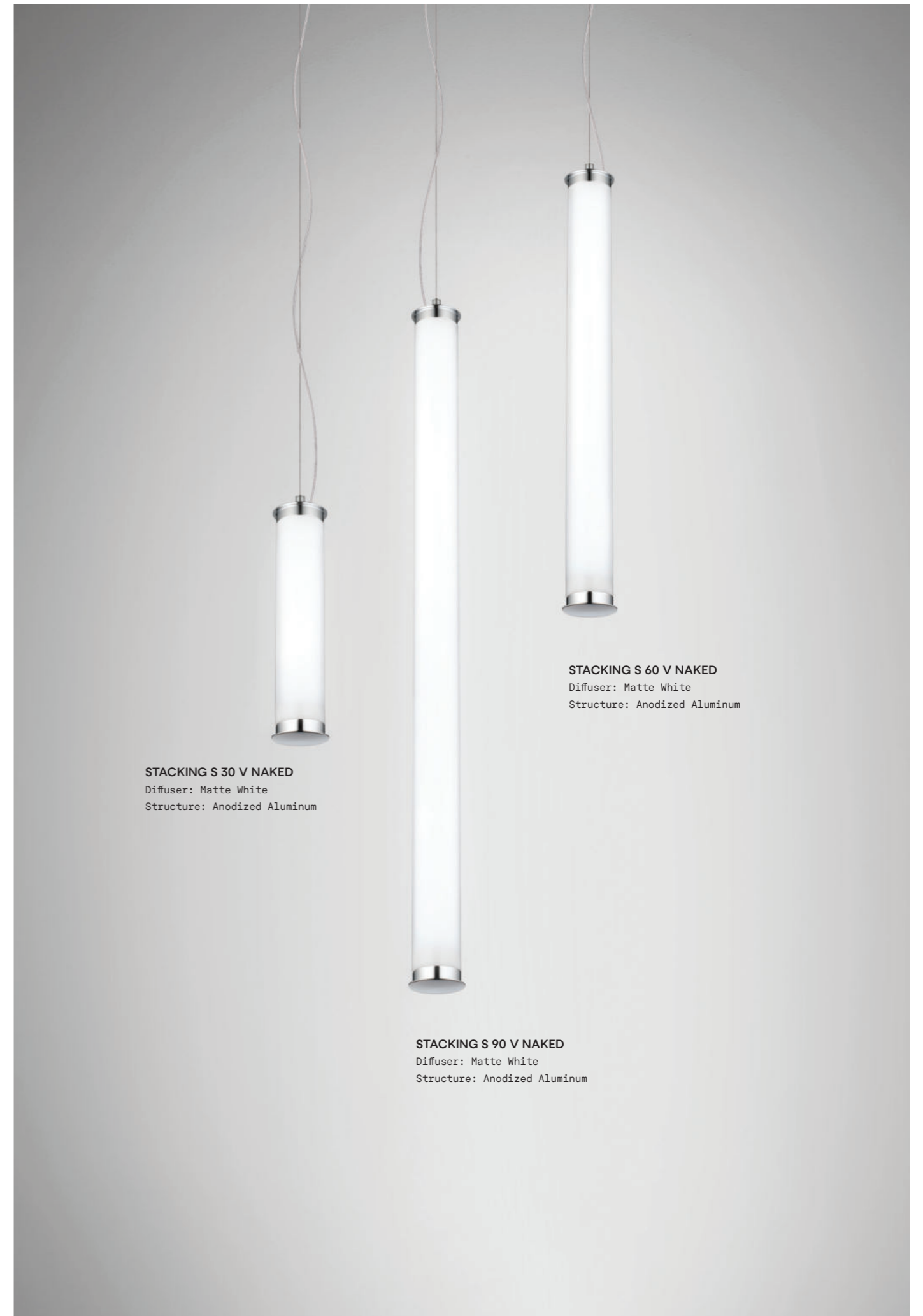
MATERIALS	Difuser: Polymethacrylate Structure: Aluminum
DIMENSIONS	Difuser: Ø7,5cm H30cm [Ø2 7/8" H11 3/4"] Canopy: Ø14,5cm H4,6cm [Ø5 3/4" 1 3/4"] Cable lenght: 300cm [118 1/8"]
CANOPIY	Matte white
LIGHT SOURCE	5 X LED STRIP 24V 6,25W (total) 718 lm (nominal) 3000K CRI≥90 5 X LED STRIP 24V 6,25W (total) 687 lm (nominal) 2700K CRI≥90
DIMMING PROTOCOL	Push-dim; 0/1-10V, DALI
MARKING	DRY LOCATION  
WEIGHT	Net weight: 1,7kg

 **Standard version (supplied with canopy & driver)**

DIMMING PROTOCOL	Push-dim; 0/1-10V, DALI	
FINISH (DIFFUSER + STRUCTURE)	SOURCE	CODE
White + Anodized Aluminum	LED 3000K	0012439
	LED 2700K	0012440

 **Class 3 version installation with remote driver (supplied without canopy & driver)**

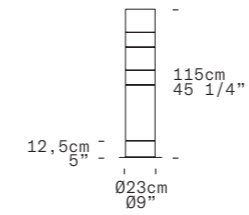
DIMMING PROTOCOL	Driver and canopy not included	
FINISH (DIFFUSER + STRUCTURE)	SOURCE	CODE
White + Anodized Aluminum	LED 3000K	0013267
	LED 2700K	0013268



STACKING S 30 V NAKED
Difuser: Matte White
Structure: Anodized Aluminum

STACKING S 60 V NAKED
Difuser: Matte White
Structure: Anodized Aluminum

STACKING S 90 V NAKED
Difuser: Matte White
Structure: Anodized Aluminum



Discover more

TECHNICAL SHEET

MATERIALS Difuser: Blown Glass
Structure: Metal

DIMENSIONS Difuser: Ø23cm h115cm [Ø9" h45 1/4"]
Cable lenght: 220cm [86 5/8"]

LIGHT SOURCE GU10 4 x 7W Retrofit LED

DIMMING PROTOCOL Dimmer on cord

MARKNG DRY LOCATION

WEIGHT Net weight: 29kg



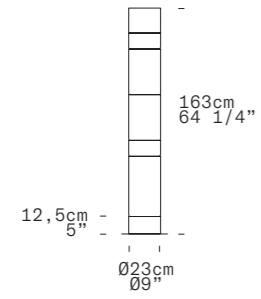
DIMMING PROTOCOL	Dimmer on cord	
FINISH (DIFFUSER + STRUCTURE)	SOURCE	CODE
Smoke Grey, White, Smoke Grey, White, Mirror + Chrome	GU10	0004096
NOTE	Light bulbs not included	



STACKING B TR
Difuser: Smoke Grey, White, Smoke Grey, White, Mirror
Structure: Chrome

STACKING C TR - INDOOR

Rockwell Group, 2007



Discover more

TECHNICAL SHEET	
MATERIALS	Difuser: Blown Glass Structure: Metal
DIMENSIONS	Difuser: Ø23cm h163cm [Ø9" h64 1/4"] Cable lenght: 220cm [86 5/8"]
LIGHT SOURCE	GU10 4 x 7W Retrofit LED
DIMMING PROTOCOL	Dimmer on cord
MARKNG	DRY LOCATION
WEIGHT	Net weight: 36,7g

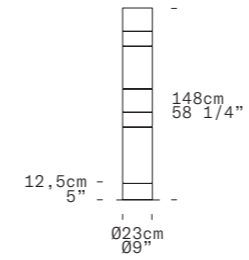
FLOOR - TERRA



DIMMING PROTOCOL	Dimmer on cord	
FINISH (DIFFUSER + STRUCTURE)	SOURCE	CODE
Smoke Grey, White, Amber, Tobacco, White, Amber + Gold	GU10	0004098
NOTE	Light bulbs not included	

STACKING D TR - INDOOR

Rockwell Group, 2007



Discover more

TECHNICAL SHEET	
MATERIALS	Difuser: Blown Glass Structure: Metal
DIMENSIONS	Difuser: Ø23cm h148cm [Ø9" h58 1/4"] Cable lenght: 220cm [86 5/8"]
LIGHT SOURCE	GU10 4 X 7W Retrofit LED
DIMMING PROTOCOL	Dimmer on cord
MARKNG	DRY LOCATION
WEIGHT	Gross weight: 30,2kg

FLOOR - TERRA



DIMMING PROTOCOL	Dimmer on cord	
FINISH (DIFFUSER + STRUCTURE)	SOURCE	CODE
White, Gold, Transparent Tobacco, White, Gold, Black + Gold	GU10	0004100
NOTE	Light bulbs not included	